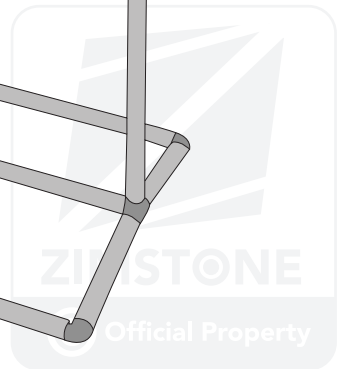




SLIMLINE BANNER

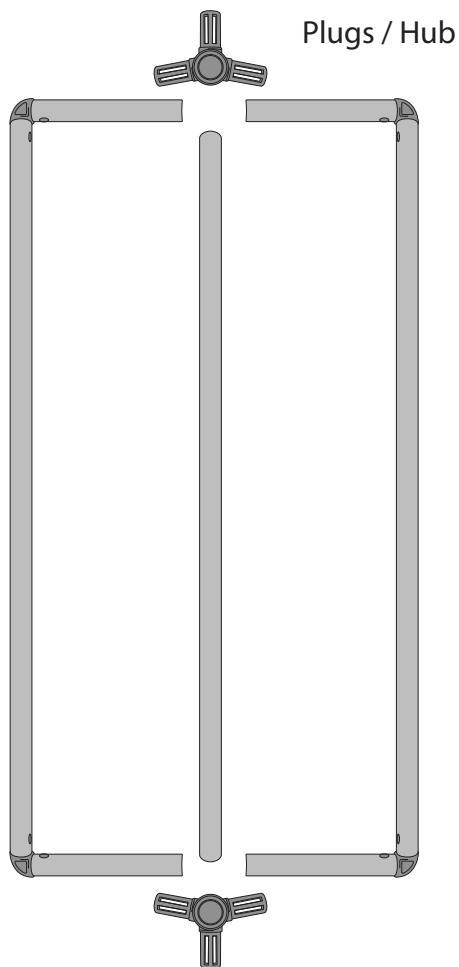
INSTRUCTION GUIDE



This kit includes

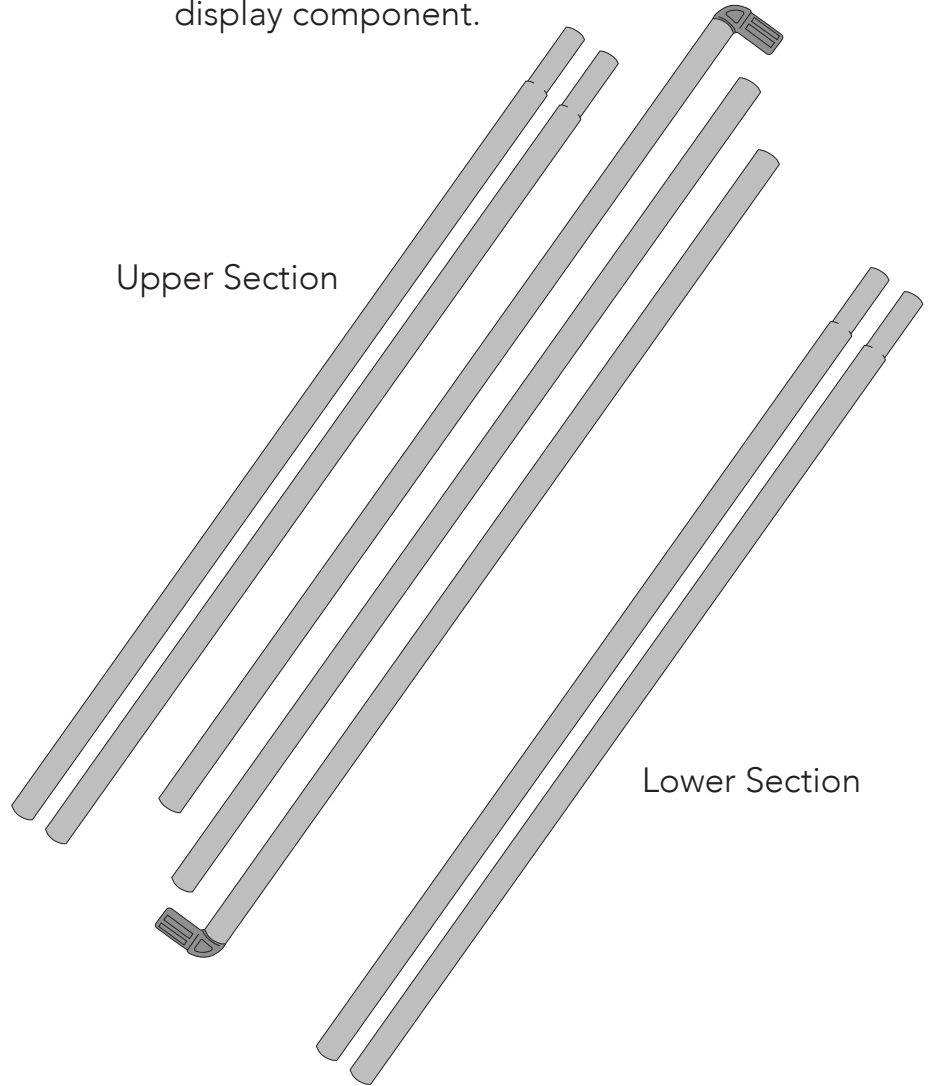
The Base Components

These items, when connected, form the base of the Slimline Banner.



Main Display Section

This section forms the main display component.



Single Spacer

Keeps item evenly spaced once inserted.

Carry Bag

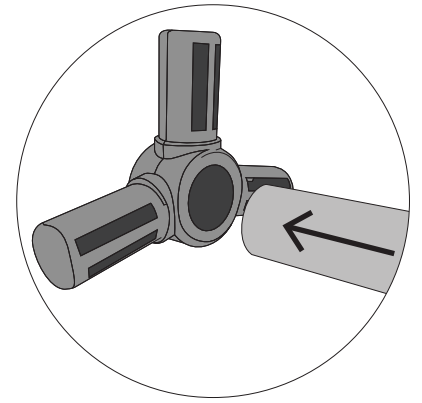
Black carry bag with velcro seal



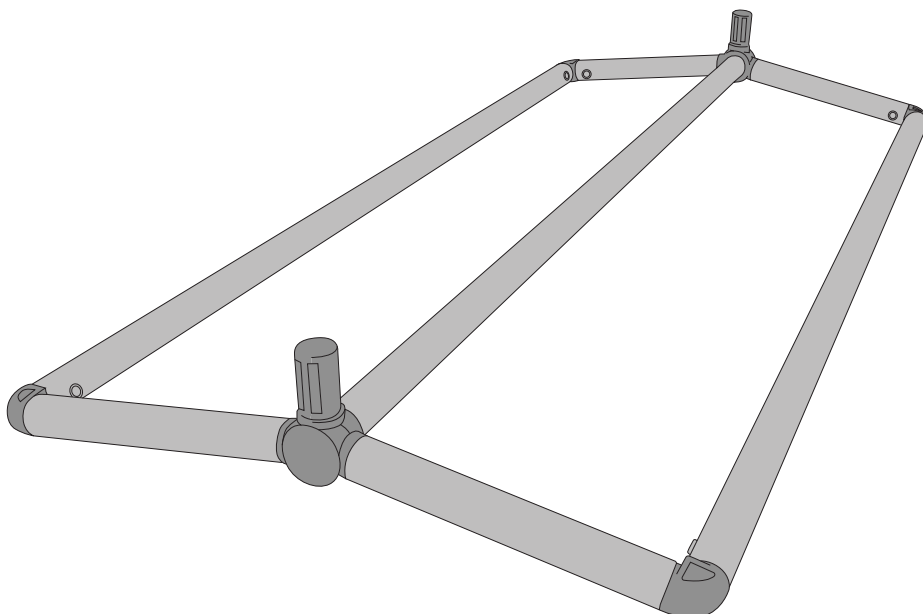
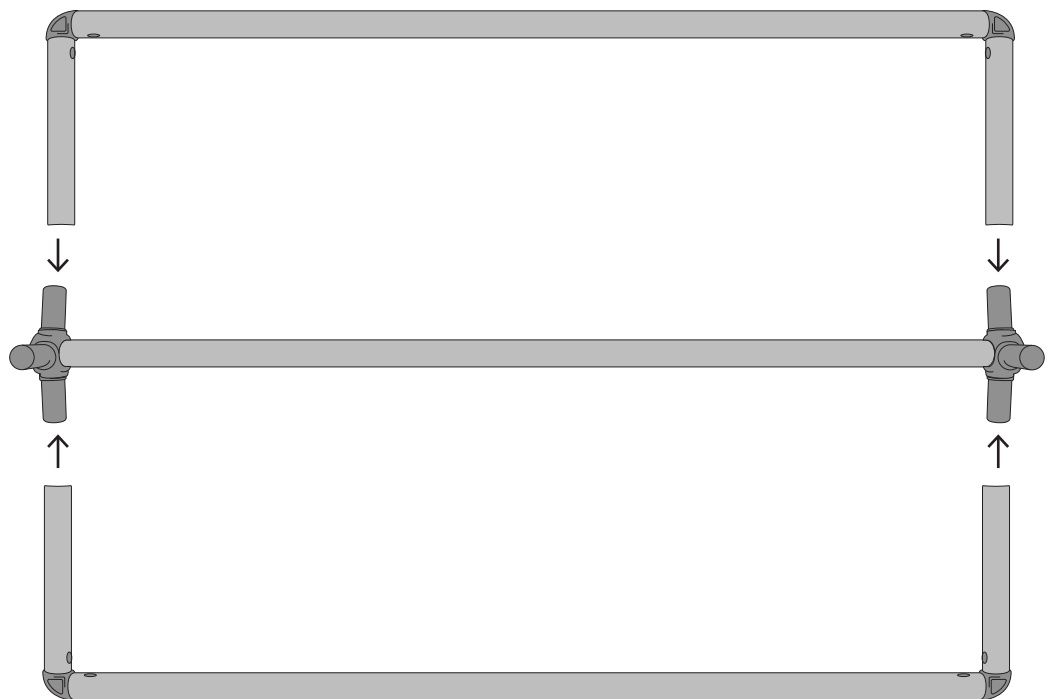
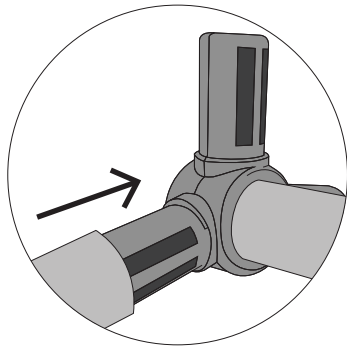
1 Create the base first by connecting these elements



1.1 First connect the plugs/hubs to the centre pole of the base



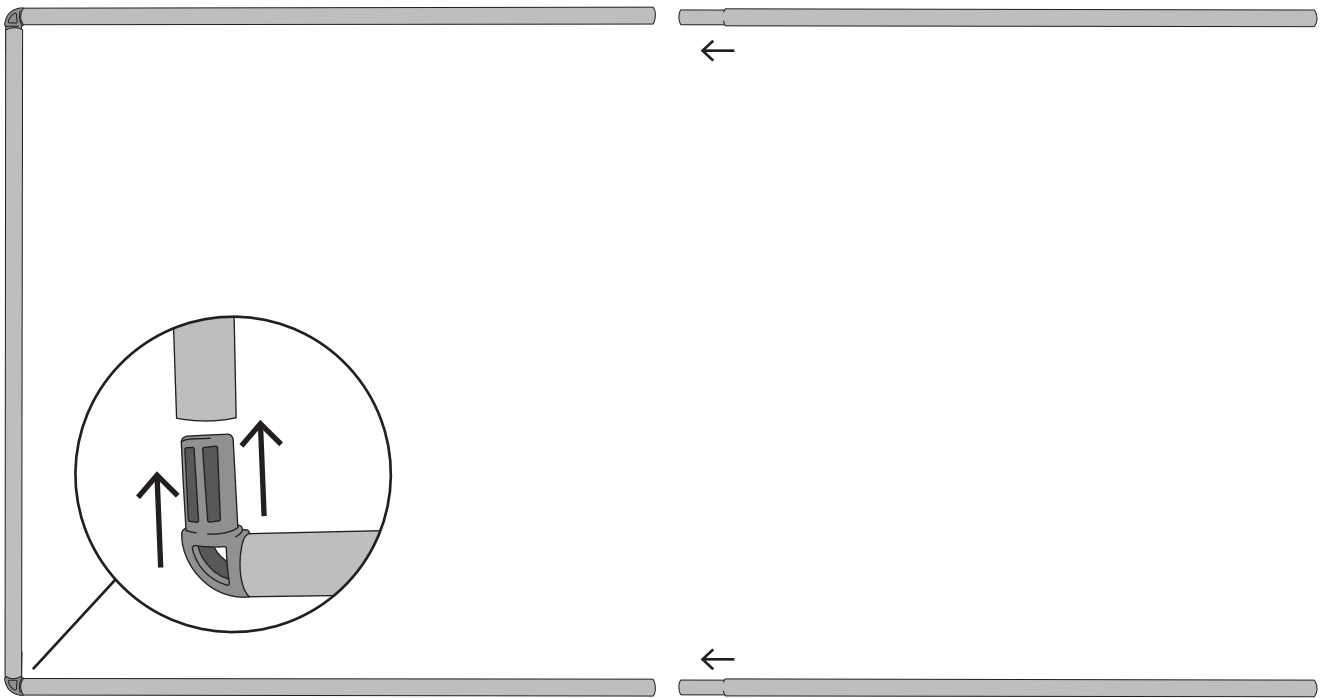
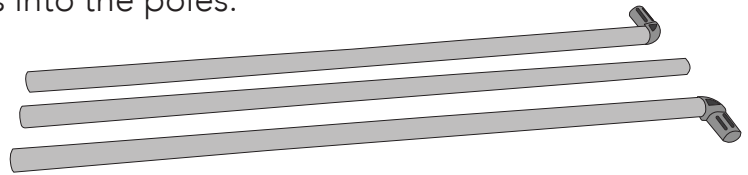
1.2 Then attach the legs to the centre pole



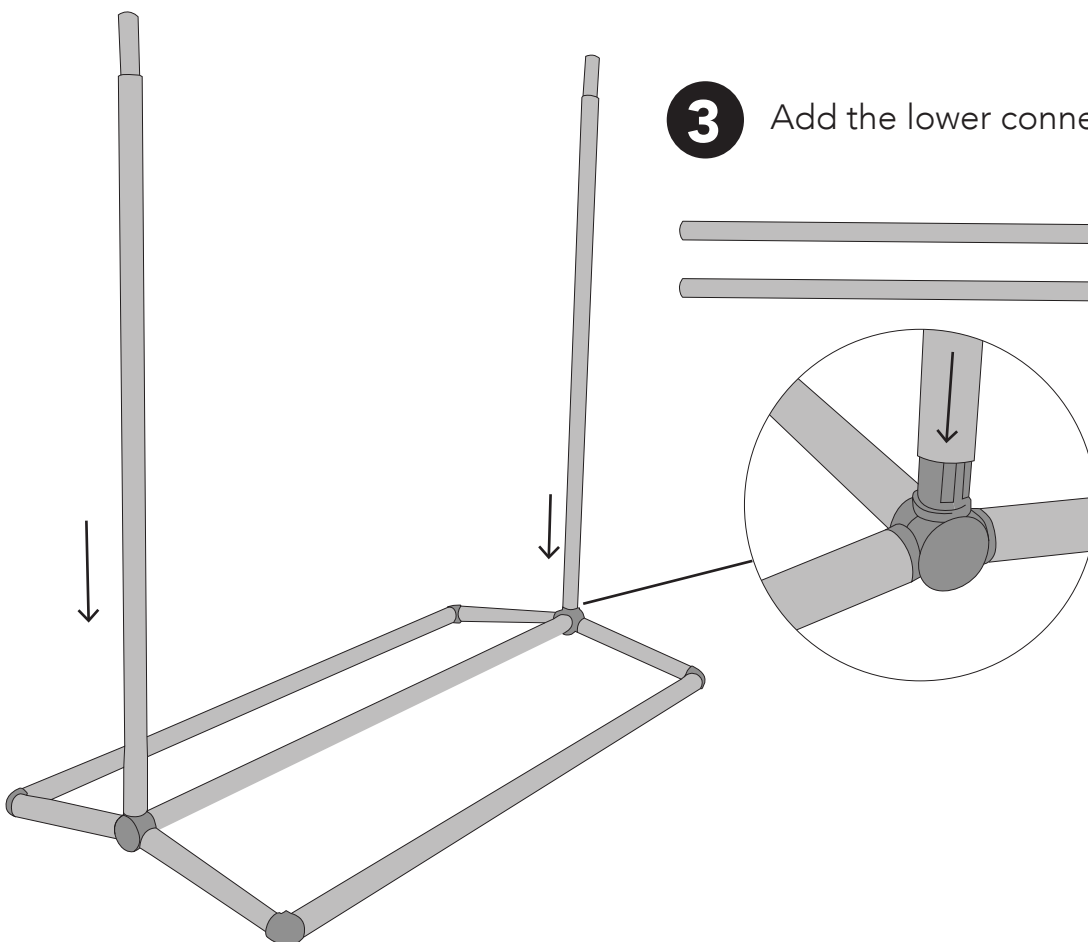
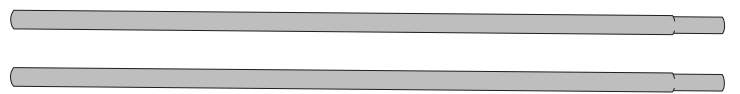
The fully connected base will look like this. Place it on a solid, level surface where you will be displaying your design.



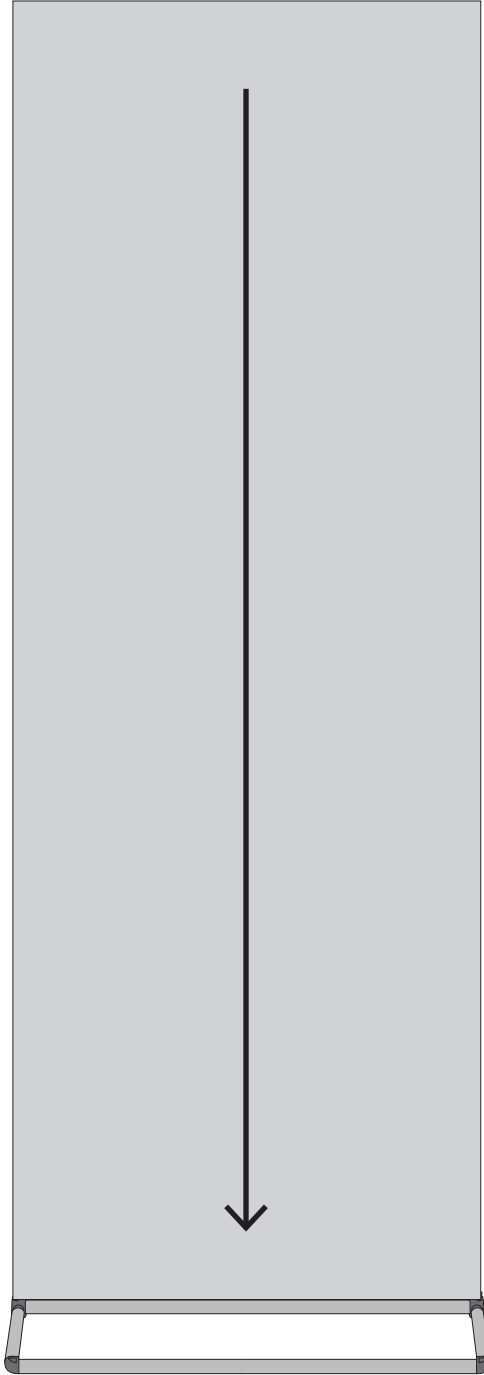
2 Connect the Main Display Component to the base by inserting the tabs into the poles.



3 Add the lower connectors to the base.



- 6** Fit the textile over the frame and display your artwork.
NB. Your textile should be tailored exactly, this will assist in the overall stability of the item.

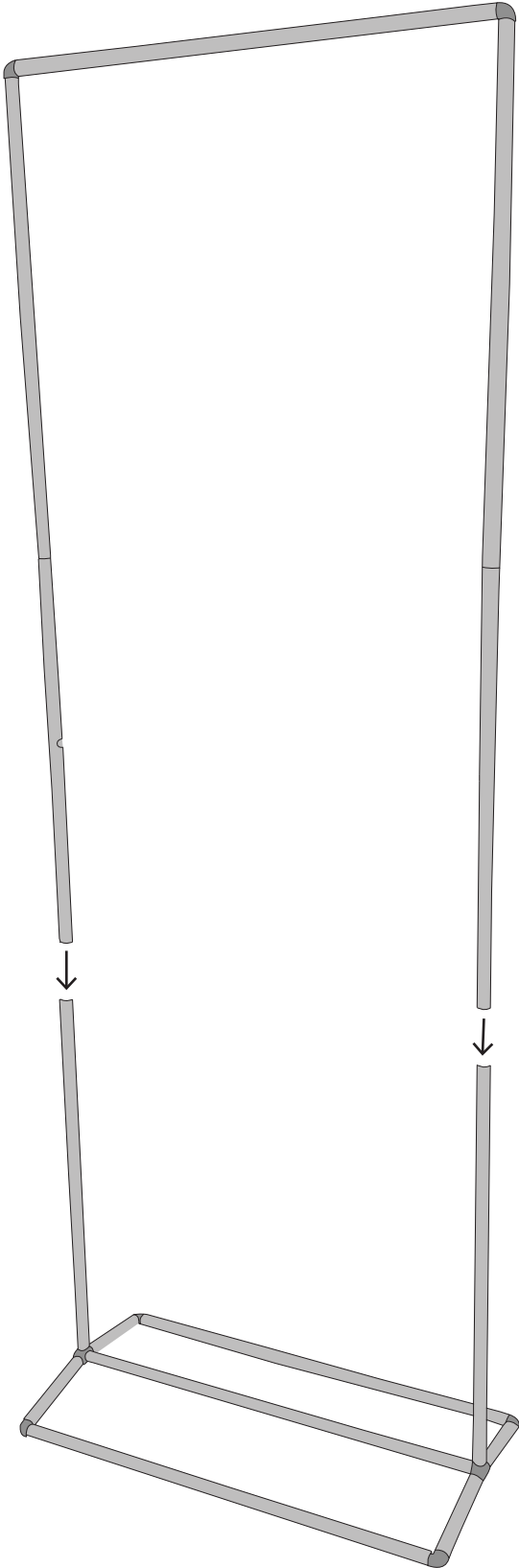


Download Artwork Templates here:
www.zimstone.co.za/product-templates

Textiles available. Sold separately.
www.pbtex.co.za



- 4** Connect the Upper and Lower sections of the Main Display.



- 5** Insert the Single Spacer pole into the slots below to ensure correct pole alignment. Once your textile is fitted to the frame, this pole will also ensure that it is held taut.

